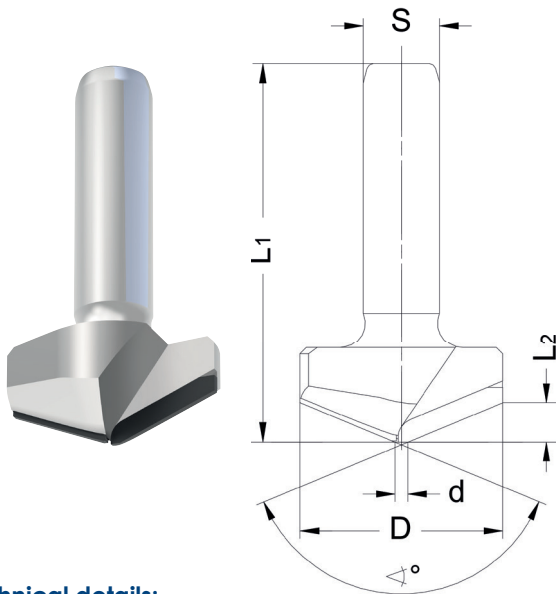


PCD V-Groove / Bevelling Cutters



Technical details:

- sturdy tool body, PCD tipped in Z1 and Z2

Application:

- for bevelling of V-grooves and decorative grooving
- applicable for machining Alucobond boards (excepton: 16010-9-14453-R)

Workpiece materials:

PCD V-grooving and bevelling cutter:

- board materials (chipboard, MDF, multiplex)
- thermoplastics (CFK, GFK, epoxy resin)
- HPL (TRESPA®, laminate, RESOPAL®)
- solid surface (Corian®)
- gypsum fibreboards
- solid- and glued wood
- ALUCOBOND®
- ALUCORE®

PCD decorative grooving cutter 16010-9-14453-R:

- board materials (chipboard, MDF, multiplex)
- HPL (TRESPA®, laminate, RESOPAL®)
- solid surface (Corian®)
- gypsum fibreboards

PCD V-Groove / Bevelling Cutters Z2

D [mm]	d [mm]	L ₂ [mm]	L ₁ [mm]	S [mm]	∠°	Part-No.	
18	3	7,5	60	12	90	16010-9-18452-R	●
32	2	6,2	60	12	135	16010-9-32222-R	●
63	3	30	95	25	90	16010-9-63456-R	●

PCD Decorative Groove Cutter Z1

14	0,5	7	80	16	90	16010-9-14453-R	●
----	-----	---	----	----	----	-----------------	---

● Popular size, ex stock ○ While stocks last